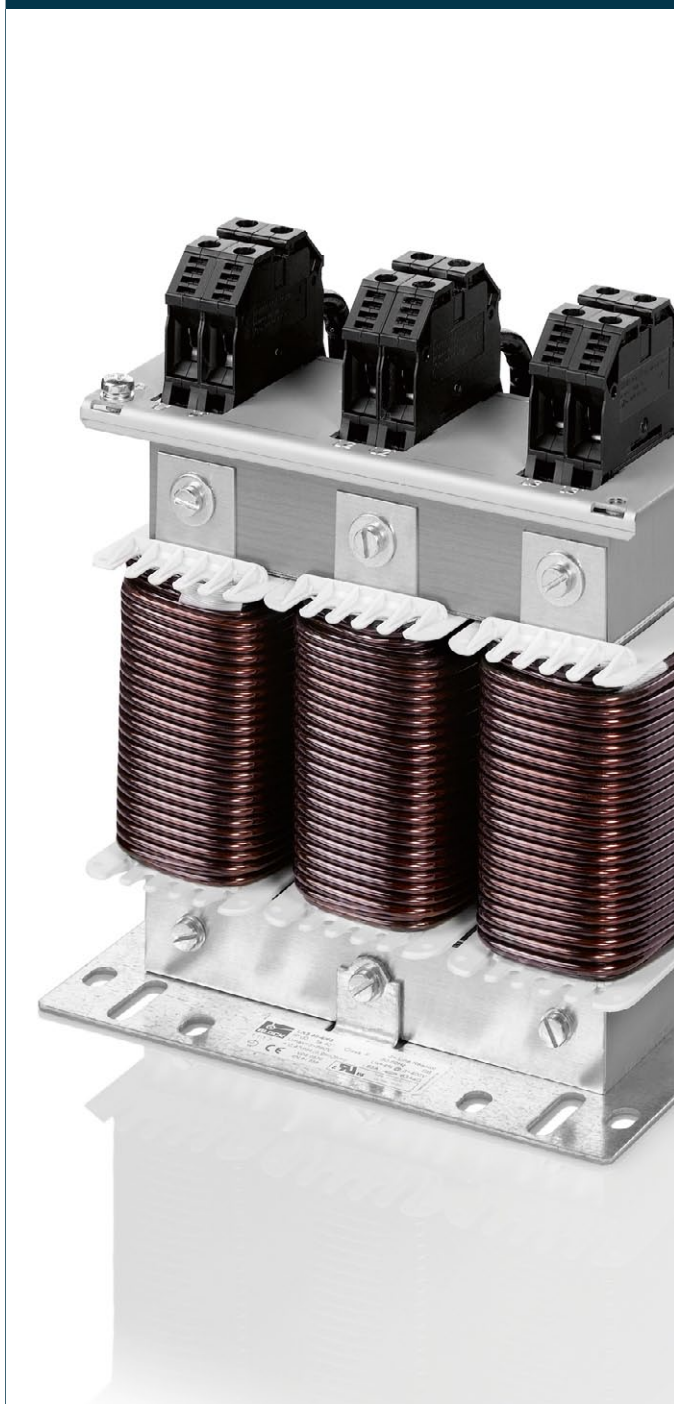


Line reactor, three-phase  
**LR3 400**



**General Data**

Rated voltage 3 x 400 Vac
Short-circuit voltage (uK) 3 - 5 %
Rated current 3 x 2 - 3 x 1600 A
Inductance 0.019 - 14.700 mH
Insulation class B, F or H
Ambient temperature -10 °C to +40 °C
Degree of protection IP 00

**Advantages**

Use as line reactor, commutating reactor or PFC reactor
Ensuring the short-circuit voltage of 3, 4 or 5 % to the mains
Power harmonic damping
Starting current limitation
Increases the service life of consumers
Low ripple
Bridging voltage dips
Peak current limitation
Very good corrosion protection and low noise thanks to vacuum impregnation
Integrated lifting rings
Multifunctional fixing rails

**Applications**

Line reactor to minimise mains pollution, to reduce the reactive-power components and charging currents in the DC link capacitor and to improve the cos(phi).

**Standards**

Line- and commutation reactor to  
DIN EN 61558-2-20, IEC 61558-2-20, UL 506, CSA 22.2

**Approvals**



UL 506, CSA 22.2

1.1

1.2

1.3

2.1

2.2

3.1

3.2

3.3

4.0

5.1

5.2

# 3 Reactors / EMI filters

## Three-phase line reactors



### Line reactor, three-phase

## LR3 400



Typ	LR3 40-3/2	LR3 40-4/2	LR3 40-5/2	LR3 40-3/4	LR3 40-4/4	LR3 40-5/4
<b>Electrical data</b>						
<b>Operating data</b>						
Rated voltage	3 x 400 Vac	3 x 400 Vac	3 x 400 Vac	3 x 400 Vac	3 x 400 Vac	3 x 400 Vac
Rated voltage (IEC)	3 x 690 Vac	3 x 690 Vac	3 x 690 Vac	3 x 690 Vac	3 x 690 Vac	3 x 690 Vac
Rated voltage (UL)	3 x 600 Vac	3 x 600 Vac	3 x 600 Vac	3 x 600 Vac	3 x 600 Vac	3 x 600 Vac
Short circuit voltage uK	3 % @ 400 Vac	4 % @ 400 Vac	5 % @ 400 Vac	3 % @ 400 Vac	4 % @ 400 Vac	5 % @ 400 Vac
Voltage drop	6.9 Vac	9.2 Vac @ 400 Vac	11.6 Vac @ 400 Vac	6.9 Vac	9.2 Vac	11.6 Vac
Rated current	3 x 2 A	3 x 2 A	3 x 2 A	3 x 4 A	3 x 4 A	3 x 4 A
Rated frequency	50 - 60 Hz	50 - 60 Hz	50 - 60 Hz	50 - 60 Hz	50 - 60 Hz	50 - 60 Hz
Inductance	11.000 mH	14.700 mH	18.500 mH	5.500 mH	7.350 mH	9.200 mH
Inductance deviation	±10%	±10%	±10%	±10%	±10%	±10%
<b>Approvals</b>						
Approvals	cURus	cURus	cURus	cURus	cURus	cURus
<b>Environment</b>						
Ambient temperature	-10 °C to +40 °C	-10 °C to +40 °C	-10 °C to +40 °C	-10 °C to +40 °C	-10 °C to +40 °C	-10 °C to +40 °C
Type of cooling	AN	AN	AN	AN	AN	AN
<b>Safety and protection</b>						
Type	Open type	Open type	Open type	Open type	Open type	Open type
Insulation class	IEC=B, UL=class 130	IEC=B, UL=class 130	IEC=B, UL=class 130	IEC=B, UL=class 130	IEC=B, UL=class 130	IEC=B, UL=class 130
Protection index	IP 00	IP 00	IP 00	IP 00	IP 00	IP 00
Safety class (prepared)	I	I	I	I	I	I
Test voltage	4000 Vac	4000 Vac	4000 Vac	4000 Vac	4000 Vac	4000 Vac
<b>Order numbers</b>						
<b>Order Number</b>	<b>LR3 40-3/2</b>	<b>LR3 40-4/2</b>	<b>LR3 40-5/2</b>	<b>LR3 40-3/4</b>	<b>LR3 40-4/4</b>	<b>LR3 40-5/4</b>

Typ	LR3 40-3/6	LR3 40-4/6	LR3 40-5/6	LR3 40-3/8	LR3 40-4/8	LR3 40-5/8
<b>Electrical data</b>						
<b>Operating data</b>						
Rated voltage	3 x 400 Vac	3 x 400 Vac	3 x 400 Vac	3 x 400 Vac	3 x 400 Vac	3 x 400 Vac
Rated voltage (IEC)	3 x 690 Vac	3 x 690 Vac	3 x 690 Vac	3 x 690 Vac	3 x 690 Vac	3 x 690 Vac
Rated voltage (UL)	3 x 600 Vac	3 x 600 Vac	3 x 600 Vac	3 x 600 Vac	3 x 600 Vac	3 x 600 Vac
Short circuit voltage uK	3 % @ 400 Vac	4 % @ 400 Vac	5 % @ 400 Vac	3 % @ 400 Vac	4 % @ 400 Vac	5 % @ 400 Vac
Voltage drop	6.9 Vac	9.2 Vac	11.6 Vac	6.9 Vac	9.2 Vac	11.6 Vac
Rated current	3 x 6 A	3 x 6 A	3 x 6 A	3 x 8 A	3 x 8 A	3 x 8 A
Rated frequency	50 - 60 Hz	50 - 60 Hz	50 - 60 Hz	50 - 60 Hz	50 - 60 Hz	50 - 60 Hz
Inductance	3.700 mH	4.900 mH	6.200 mH	2.750 mH	3.680 mH	4.600 mH
Inductance deviation	±10%	±10%	±10%	±10%	±10%	±10%
<b>Approvals</b>						
Approvals	cURus	cURus	cURus	cURus	cURus	cURus
<b>Environment</b>						
Ambient temperature	-10 °C to +40 °C	-10 °C to +40 °C	-10 °C to +40 °C	-10 °C to +40 °C	-10 °C to +40 °C	-10 °C to +40 °C
Type of cooling	AN	AN	AN	AN	AN	AN
<b>Safety and protection</b>						
Type	Open type	Open type	Open type	Open type	Open type	Open type
Insulation class	IEC=B, UL=class 130	IEC=F, UL=class 155	IEC=F, UL=class 155	IEC=F, UL=class 155	IEC=F, UL=class 155	IEC=F, UL=class 155
Protection index	IP 00	IP 00	IP 00	IP 00	IP 00	IP 00
Safety class (prepared)	I	I	I	I	I	I
Test voltage	4000 Vac	4000 Vac	4000 Vac	4000 Vac	4000 Vac	4000 Vac
<b>Order numbers</b>						
<b>Order Number</b>	<b>LR3 40-3/6</b>	<b>LR3 40-4/6</b>	<b>LR3 40-5/6</b>	<b>LR3 40-3/8</b>	<b>LR3 40-4/8</b>	<b>LR3 40-5/8</b>



Line reactor, three-phase  
**LR3 400**



Typ	LR3 40-3/10	LR3 40-4/10	LR3 40-5/10	LR3 40-3/16	LR3 40-4/16	LR3 40-5/16
<b>Electrical data</b>						
<b>Operating data</b>						
Rated voltage	3 x 400 Vac	3 x 400 Vac	3 x 400 Vac	3 x 400 Vac	3 x 400 Vac	3 x 400 Vac
Rated voltage (IEC)	3 x 690 Vac	3 x 690 Vac	3 x 690 Vac	3 x 690 Vac	3 x 690 Vac	3 x 690 Vac
Rated voltage (UL)	3 x 600 Vac	3 x 600 Vac	3 x 600 Vac	3 x 600 Vac	3 x 600 Vac	3 x 600 Vac
Short circuit voltage uK	3 % @ 400 Vac	4 % @ 400 Vac	5 % @ 400 Vac	3 % @ 400 Vac	4 % @ 400 Vac	5 % @ 400 Vac
Voltage drop	6.9 Vac	9.2 Vac	11.6 Vac	6.9 Vac	9.2 Vac	11.6 Vac
Rated current	3 x 10 A	3 x 10 A	3 x 10 A	3 x 16 A	3 x 16 A	3 x 16 A
Rated frequency	50 - 60 Hz	50 - 60 Hz	50 - 60 Hz	50 - 60 Hz	50 - 60 Hz	50 - 60 Hz
Inductance	2.200 mH	2.940 mH	3.680 mH	1.380 mH	1.840 mH	2.300 mH
Inductance deviation	±10%	±10%	±10%	±10%	±10%	±10%
<b>Approvals</b>						
Approvals	cURus	cURus	cURus	cURus	cURus	cURus
<b>Environment</b>						
Ambient temperature	-10 °C to +40 °C	-10 °C to +40 °C	-10 °C to +40 °C	-10 °C to +40 °C	-10 °C to +40 °C	-10 °C to +40 °C
Type of cooling	AN	AN	AN	AN	AN	AN
<b>Safety and protection</b>						
Type	Open type	Open type	Open type	Open type	Open type	Open type
Insulation class	IEC=F, UL=class 155	IEC=F, UL=class 155	IEC=F, UL=class 155	IEC=F, UL=class 155	IEC=F, UL=class 155	IEC=F, UL=class 155
Protection index	IP 00	IP 00	IP 00	IP 00	IP 00	IP 00
Safety class (prepared)	I	I	I	I	I	I
Test voltage	4000 Vac	4000 Vac	4000 Vac	4000 Vac	4000 Vac	4000 Vac
<b>Order numbers</b>						
<b>Order Number</b>	<b>LR3 40-3/10</b>	<b>LR3 40-4/10</b>	<b>LR3 40-5/10</b>	<b>LR3 40-3/16</b>	<b>LR3 40-4/16</b>	<b>LR3 40-5/16</b>

Typ	LR3 40-3/20	LR3 40-4/20	LR3 40-5/20	LR3 40-3/25	LR3 40-4/25	LR3 40-5/25
<b>Electrical data</b>						
<b>Operating data</b>						
Rated voltage	3 x 400 Vac	3 x 400 Vac	3 x 400 Vac	3 x 400 Vac	3 x 400 Vac	3 x 400 Vac
Rated voltage (IEC)	3 x 690 Vac	3 x 690 Vac	3 x 690 Vac	3 x 690 Vac	3 x 690 Vac	3 x 690 Vac
Rated voltage (UL)	3 x 600 Vac	3 x 600 Vac	3 x 600 Vac	3 x 600 Vac	3 x 600 Vac	3 x 600 Vac
Short circuit voltage uK	3 % @ 400 Vac	4 % @ 400 Vac	5 % @ 400 Vac	3 % @ 400 Vac	4 % @ 400 Vac	5 % @ 400 Vac
Voltage drop	6.9 Vac	9.2 Vac	11.6 Vac	6.9 Vac	9.2 Vac	11.6 Vac
Rated current	3 x 20 A	3 x 20 A	3 x 20 A	3 x 25 A	3 x 25 A	3 x 25 A
Rated frequency	50 - 60 Hz	50 - 60 Hz	50 - 60 Hz	50 - 60 Hz	50 - 60 Hz	50 - 60 Hz
Inductance	1.100 mH	1.470 mH	1.840 mH	0.880 mH	1.180 mH	1.470 mH
Inductance deviation	±10%	±10%	±10%	±10%	±10%	±10%
<b>Approvals</b>						
Approvals	cURus	cURus	cURus	cURus	cURus	cURus
<b>Environment</b>						
Ambient temperature	-10 °C to +40 °C	-10 °C to +40 °C	-10 °C to +40 °C	-10 °C to +40 °C	-10 °C to +40 °C	-10 °C to +40 °C
Type of cooling	AN	AN	AN	AN	AN	AN
<b>Safety and protection</b>						
Type	Open type	Open type	Open type	Open type	Open type	Open type
Insulation class	IEC=F, UL=class 155	IEC=F, UL=class 155	IEC=F, UL=class 155	IEC=F, UL=class 155	IEC=F, UL=class 155	IEC=F, UL=class 155
Protection index	IP 00	IP 00	IP 00	IP 00	IP 00	IP 00
Safety class (prepared)	I	I	I	I	I	I
Test voltage	4000 Vac	4000 Vac	4000 Vac	4000 Vac	4000 Vac	4000 Vac
<b>Order numbers</b>						
<b>Order Number</b>	<b>LR3 40-3/20</b>	<b>LR3 40-4/20</b>	<b>LR3 40-5/20</b>	<b>LR3 40-3/25</b>	<b>LR3 40-4/25</b>	<b>LR3 40-5/25</b>



## Line reactor, three-phase LR3 400



Typ	LR3 40-3/30	LR3 40-4/30	LR3 40-5/30	LR3 40-3/35	LR3 40-4/35	LR3 40-5/35
<b>Electrical data</b>						
<b>Operating data</b>						
Rated voltage	3 x 400 Vac	3 x 400 Vac	3 x 400 Vac	3 x 400 Vac	3 x 400 Vac	3 x 400 Vac
Rated voltage (IEC)	3 x 690 Vac	3 x 690 Vac	3 x 690 Vac	3 x 690 Vac	3 x 690 Vac	3 x 690 Vac
Rated voltage (UL)	3 x 600 Vac	3 x 600 Vac	3 x 600 Vac	3 x 600 Vac	3 x 600 Vac	3 x 600 Vac
Short circuit voltage uK	3 % @ 400 Vac	4 % @ 400 Vac	5 % @ 400 Vac	3 % @ 400 Vac	4 % @ 400 Vac	5 % @ 400 Vac
Voltage drop	6.9 Vac	9.2 Vac	11.6 Vac	6.9 Vac	9.2 Vac	11.6 Vac
Rated current	3 x 30 A	3 x 30 A	3 x 30 A	3 x 35 A	3 x 35 A	3 x 35 A
Rated frequency	50 - 60 Hz	50 - 60 Hz	50 - 60 Hz	50 - 60 Hz	50 - 60 Hz	50 - 60 Hz
Inductance	0.740 mH	0.980 mH	1.230 mH	0.630 mH	0.840 mH	1.050 mH
Inductance deviation	±10%	±10%	±10%	±10%	±10%	±10%
<b>Approvals</b>						
Approvals	cURus	cURus	cURus	cURus	cURus	cURus
<b>Environment</b>						
Ambient temperature	-10 °C to +40 °C	-10 °C to +40 °C	-10 °C to +40 °C	-10 °C to +40 °C	-10 °C to +40 °C	-10 °C to +40 °C
Type of cooling	AN	AN	AN	AN	AN	AN
<b>Safety and protection</b>						
Type	Open type	Open type	Open type	Open type	Open type	Open type
Insulation class	IEC=F, UL=class 155	IEC=F, UL=class 155	IEC=F, UL=class 155	IEC=F, UL=class 155	IEC=F, UL=class 155	IEC=F, UL=class 155
Protection index	IP 00	IP 00	IP 00	IP 00	IP 00	IP 00
Safety class (prepared)	I	I	I	I	I	I
Test voltage	4000 Vac	4000 Vac	4000 Vac	4000 Vac	4000 Vac	4000 Vac
<b>Order numbers</b>						
<b>Order Number</b>	<b>LR3 40-3/30</b>	<b>LR3 40-4/30</b>	<b>LR3 40-5/30</b>	<b>LR3 40-3/35</b>	<b>LR3 40-4/35</b>	<b>LR3 40-5/35</b>

Typ	LR3 40-3/40	LR3 40-4/40	LR3 40-5/40	LR3 40-3/45	LR3 40-4/45	LR3 40-5/45
<b>Electrical data</b>						
<b>Operating data</b>						
Rated voltage	3 x 400 Vac	3 x 400 Vac	3 x 400 Vac	3 x 400 Vac	3 x 400 Vac	3 x 400 Vac
Rated voltage (IEC)	3 x 690 Vac	3 x 690 Vac	3 x 690 Vac	3 x 690 Vac	3 x 690 Vac	3 x 690 Vac
Rated voltage (UL)	3 x 600 Vac	3 x 600 Vac	3 x 600 Vac	3 x 600 Vac	3 x 600 Vac	3 x 600 Vac
Short circuit voltage uK	3 % @ 400 Vac	4 % @ 400 Vac	5 % @ 400 Vac	3 % @ 400 Vac	4 % @ 400 Vac	5 % @ 400 Vac
Voltage drop	6.9 Vac	9.2 Vac	11.6 Vac	6.9 Vac	9.2 Vac	11.6 Vac
Rated current	3 x 40 A	3 x 40 A	3 x 40 A	3 x 45 A	3 x 45 A	3 x 45 A
Rated frequency	50 - 60 Hz	50 - 60 Hz	50 - 60 Hz	50 - 60 Hz	50 - 60 Hz	50 - 60 Hz
Inductance	0.550 mH	0.740 mH	0.920 mH	0.490 mH	0.650 mH	0.817 mH
Inductance deviation	±10%	±10%	±10%	±10%	±10%	±10%
<b>Approvals</b>						
Approvals	cURus	cURus	cURus	cURus	cURus	cURus
<b>Environment</b>						
Ambient temperature	-10 °C to +40 °C	-10 °C to +40 °C	-10 °C to +40 °C	-10 °C to +40 °C	-10 °C to +40 °C	-10 °C to +40 °C
Type of cooling	AN	AN	AN	AN	AN	AN
<b>Safety and protection</b>						
Type	Open type	Open type	Open type	Open type	Open type	Open type
Insulation class	IEC=F, UL=class 155	IEC=F, UL=class 155	IEC=F, UL=class 155	IEC=F, UL=class 155	IEC=F, UL=class 155	IEC=F, UL=class 155
Protection index	IP 00	IP 00	IP 00	IP 00	IP 00	IP 00
Safety class (prepared)	I	I	I	I	I	I
Test voltage	4000 Vac	4000 Vac	4000 Vac	4000 Vac	4000 Vac	4000 Vac
<b>Order numbers</b>						
<b>Order Number</b>	<b>LR3 40-3/40</b>	<b>LR3 40-4/40</b>	<b>LR3 40-5/40</b>	<b>LR3 40-3/45</b>	<b>LR3 40-4/45</b>	<b>LR3 40-5/45</b>



## Line reactor, three-phase LR3 400



Typ	LR3 40-3/50	LR3 40-4/50	LR3 40-5/50	LR3 40-3/63	LR3 40-4/63	LR3 40-5/63
<b>Electrical data</b>						
<b>Operating data</b>						
Rated voltage	3 x 400 Vac	3 x 400 Vac	3 x 400 Vac	3 x 400 Vac	3 x 400 Vac	3 x 400 Vac
Rated voltage (IEC)	3 x 690 Vac	3 x 690 Vac	3 x 690 Vac	3 x 690 Vac	3 x 690 Vac	3 x 690 Vac
Rated voltage (UL)	3 x 600 Vac	3 x 600 Vac	3 x 600 Vac	3 x 600 Vac	3 x 600 Vac	3 x 600 Vac
Short circuit voltage uK	3 % @ 400 Vac	4 % @ 400 Vac	5 % @ 400 Vac	3 % @ 400 Vac	4 % @ 400 Vac	5 % @ 400 Vac
Voltage drop	6.9 Vac	9.2 Vac	11.6 Vac	6.9 Vac	9.2 Vac	11.6 Vac
Rated current	3 x 50 A	3 x 50 A	3 x 50 A	3 x 63 A	3 x 63 A	3 x 63 A
Rated frequency	50 - 60 Hz	50 - 60 Hz	50 - 60 Hz	50 - 60 Hz	50 - 60 Hz	50 - 60 Hz
Inductance	0.440 mH	0.590 mH	0.735 mH	0.350 mH	0.470 mH	0.584 mH
Inductance deviation	±10%	±10%	±10%	±10%	±10%	±10%
<b>Approvals</b>						
Approvals	cURus	cURus	cURus	cURus	cURus	cURus
<b>Environment</b>						
Ambient temperature	-10 °C to +40 °C	-10 °C to +40 °C	-10 °C to +40 °C	-10 °C to +40 °C	-10 °C to +40 °C	-10 °C to +40 °C
Type of cooling	AN	AN	AN	AN	AN	AN
<b>Safety and protection</b>						
Type	Open type	Open type	Open type	Open type	Open type	Open type
Insulation class	IEC=F, UL=class 155	IEC=F, UL=class 155	IEC=F, UL=class 155	IEC=F, UL=class 155	IEC=F, UL=class 155	IEC=F, UL=class 155
Protection index	IP 00	IP 00	IP 00	IP 00	IP 00	IP 00
Safety class (prepared)	I	I	I	I	I	I
Test voltage	4000 Vac	4000 Vac	4000 Vac	4000 Vac	4000 Vac	4000 Vac
<b>Order numbers</b>						
<b>Order Number</b>	<b>LR3 40-3/50</b>	<b>LR3 40-4/50</b>	<b>LR3 40-5/50</b>	<b>LR3 40-3/63</b>	<b>LR3 40-4/63</b>	<b>LR3 40-5/63</b>

Typ	LR3 40-3/70	LR3 40-4/70	LR3 40-5/70	LR3 40-3/80	LR3 40-4/80	LR3 40-5/80
<b>Electrical data</b>						
<b>Operating data</b>						
Rated voltage	3 x 400 Vac	3 x 400 Vac	3 x 400 Vac	3 x 400 Vac	3 x 400 Vac	3 x 400 Vac
Rated voltage (IEC)	3 x 690 Vac	3 x 690 Vac	3 x 690 Vac	3 x 690 Vac	3 x 690 Vac	3 x 690 Vac
Rated voltage (UL)	3 x 600 Vac	3 x 600 Vac	3 x 600 Vac	3 x 600 Vac	3 x 600 Vac	3 x 600 Vac
Short circuit voltage uK	3 % @ 400 Vac	4 % @ 400 Vac	5 % @ 400 Vac	3 % @ 400 Vac	4 % @ 400 Vac	5 % @ 400 Vac
Voltage drop	6.9 Vac	9.2 Vac	11.6 Vac	6.9 Vac	9.2 Vac	11.6 Vac
Rated current	3 x 70 A	3 x 70 A	3 x 70 A	3 x 80 A	3 x 80 A	3 x 80 A
Rated frequency	50 - 60 Hz	50 - 60 Hz	50 - 60 Hz	50 - 60 Hz	50 - 60 Hz	50 - 60 Hz
Inductance	0.315 mH	0.420 mH	0.525 mH	0.270 mH	0.370 mH	0.460 mH
Inductance deviation	±10%	±10%	±10%	±10%	±10%	±10%
<b>Approvals</b>						
Approvals	cURus	cURus	cURus	cURus	cURus	cURus
<b>Environment</b>						
Ambient temperature	-10 °C to +40 °C	-10 °C to +40 °C	-10 °C to +40 °C	-10 °C to +40 °C	-10 °C to +40 °C	-10 °C to +40 °C
Type of cooling	AN	AN	AN	AN	AN	AN
<b>Safety and protection</b>						
Type	Open type	Open type	Open type	Open type	Open type	Open type
Insulation class	IEC=F, UL=class 155	IEC=F, UL=class 155	IEC=F, UL=class 155	IEC=F, UL=class 155	IEC=F, UL=class 155	IEC=F, UL=class 155
Protection index	IP 00	IP 00	IP 00	IP 00	IP 00	IP 00
Safety class (prepared)	I	I	I	I	I	I
Test voltage	4000 Vac	4000 Vac	4000 Vac	4000 Vac	4000 Vac	4000 Vac
<b>Order numbers</b>						
<b>Order Number</b>	<b>LR3 40-3/70</b>	<b>LR3 40-4/70</b>	<b>LR3 40-5/70</b>	<b>LR3 40-3/80</b>	<b>LR3 40-4/80</b>	<b>LR3 40-5/80</b>



## Line reactor, three-phase LR3 400



Typ	LR3 40-3/90	LR3 40-4/90	LR3 40-5/90	LR3 40-3/100	LR3 40-4/100	LR3 40-5/100
<b>Electrical data</b>						
<b>Operating data</b>						
Rated voltage	3 x 400 Vac	3 x 400 Vac	3 x 400 Vac	3 x 400 Vac	3 x 400 Vac	3 x 400 Vac
Rated voltage (IEC)	3 x 690 Vac	3 x 690 Vac	3 x 690 Vac	3 x 690 Vac	3 x 690 Vac	3 x 690 Vac
Rated voltage (UL)	3 x 600 Vac	3 x 600 Vac	3 x 600 Vac	3 x 600 Vac	3 x 600 Vac	3 x 600 Vac
Short circuit voltage uK	3 % @ 400 Vac	4 % @ 400 Vac	5 % @ 400 Vac	3 % @ 400 Vac	4 % @ 400 Vac	5 % @ 400 Vac
Voltage drop	6.9 Vac	9.2 Vac	11.6 Vac	6.9 Vac	9.2 Vac	11.6 Vac
Rated current	3 x 90 A	3 x 90 A	3 x 90 A	3 x 100 A	3 x 100 A	3 x 100 A
Rated frequency	50 - 60 Hz	50 - 60 Hz	50 - 60 Hz	50 - 60 Hz	50 - 60 Hz	50 - 60 Hz
Inductance	0.245 mH	0.330 mH	0.408 mH	0.220 mH	0.300 mH	0.368 mH
Inductance deviation	±10%	±10%	±10%	±10%	±10%	±10%
<b>Approvals</b>						
Approvals	cURus	cURus	cURus	cURus	cURus	cURus
<b>Environment</b>						
Ambient temperature	-10 °C to +40 °C	-10 °C to +40 °C	-10 °C to +40 °C	-10 °C to +40 °C	-10 °C to +40 °C	-10 °C to +40 °C
Type of cooling	AN	AN	AN	AN	AN	AN
<b>Safety and protection</b>						
Type	Open type	Open type	Open type	Open type	Open type	Open type
Insulation class	IEC=F, UL=class 155	IEC=F, UL=class 155	IEC=F, UL=class 155	IEC=F, UL=class 155	IEC=F, UL=class 155	IEC=F, UL=class 155
Protection index	IP 00	IP 00	IP 00	IP 00	IP 00	IP 00
Safety class (prepared)	I	I	I	I	I	I
Test voltage	4000 Vac	4000 Vac	4000 Vac	4000 Vac	4000 Vac	4000 Vac
<b>Order numbers</b>						
<b>Order Number</b>	<b>LR3 40-3/90</b>	<b>LR3 40-4/90</b>	<b>LR3 40-5/90</b>	<b>LR3 40-3/100</b>	<b>LR3 40-4/100</b>	<b>LR3 40-5/100</b>

Typ	LR3 40-3/115	LR3 40-4/115	LR3 40-5/115	LR3 40-3/125	LR3 40-4/125	LR3 40-5/125
<b>Electrical data</b>						
<b>Operating data</b>						
Rated voltage	3 x 400 Vac	3 x 400 Vac	3 x 400 Vac	3 x 400 Vac	3 x 400 Vac	3 x 400 Vac
Rated voltage (IEC)	3 x 690 Vac	3 x 690 Vac	3 x 690 Vac	3 x 690 Vac	3 x 690 Vac	3 x 690 Vac
Rated voltage (UL)	3 x 600 Vac	3 x 600 Vac	3 x 600 Vac	3 x 600 Vac	3 x 600 Vac	3 x 600 Vac
Short circuit voltage uK	3 % @ 400 Vac	4 % @ 400 Vac	5 % @ 400 Vac	3 % @ 400 Vac	4 % @ 400 Vac	5 % @ 400 Vac
Voltage drop	6.9 Vac	9.2 Vac	11.6 Vac	6.9 Vac	9.2 Vac	11.6 Vac
Rated current	3 x 115 A	3 x 115 A	3 x 115 A	3 x 125 A	3 x 125 A	3 x 125 A
Rated frequency	50 - 60 Hz	50 - 60 Hz	50 - 60 Hz	50 - 60 Hz	50 - 60 Hz	50 - 60 Hz
Inductance	0.193 mH	0.260 mH	0.320 mH	0.177 mH	0.240 mH	0.294 mH
Inductance deviation	±10%	±10%	±10%	±10%	±10%	±10%
<b>Approvals</b>						
Approvals	cURus	cURus	cURus	cURus	cURus	cURus
<b>Environment</b>						
Ambient temperature	-10 °C to +40 °C	-10 °C to +40 °C	-10 °C to +40 °C	-10 °C to +40 °C	-10 °C to +40 °C	-10 °C to +40 °C
Type of cooling	AN	AN	AN	AN	AN	AN
<b>Safety and protection</b>						
Type	Open type	Open type	Open type	Open type	Open type	Open type
Insulation class	IEC=F, UL=class 155	IEC=F, UL=class 155	IEC=F, UL=class 155	IEC=F, UL=class 155	IEC=H, UL=class 180	IEC=H, UL=class 180
Protection index	IP 00	IP 00	IP 00	IP 00	IP 00	IP 00
Safety class (prepared)	I	I	I	I	I	I
Test voltage	4000 Vac	4000 Vac	4000 Vac	4000 Vac	4000 Vac	4000 Vac
<b>Order numbers</b>						
<b>Order Number</b>	<b>LR3 40-3/115</b>	<b>LR3 40-4/115</b>	<b>LR3 40-5/115</b>	<b>LR3 40-3/125</b>	<b>LR3 40-4/125</b>	<b>LR3 40-5/125</b>



## Line reactor, three-phase LR3 400



Typ	LR3 40-3/160	LR3 40-4/160	LR3 40-5/160	LR3 40-3/180	LR3 40-4/180	LR3 40-5/180
<b>Electrical data</b>						
<b>Operating data</b>						
Rated voltage	3 x 400 Vac	3 x 400 Vac	3 x 400 Vac	3 x 400 Vac	3 x 400 Vac	3 x 400 Vac
Rated voltage (IEC)	3 x 690 Vac	3 x 690 Vac	3 x 690 Vac	3 x 690 Vac	3 x 690 Vac	3 x 690 Vac
Rated voltage (UL)	3 x 600 Vac	3 x 600 Vac	3 x 600 Vac	3 x 600 Vac	3 x 600 Vac	3 x 600 Vac
Short circuit voltage uK	3 % @ 400 Vac	4 % @ 400 Vac	5 % @ 400 Vac	3 % @ 400 Vac	4 % @ 400 Vac	5 % @ 400 Vac
Voltage drop	6.9 Vac	9.2 Vac	11.6 Vac	6.9 Vac	9.2 Vac	11.6 Vac
Rated current	3 x 160 A	3 x 160 A	3 x 160 A	3 x 180 A	3 x 180 A	3 x 180 A
Rated frequency	50 - 60 Hz	50 - 60 Hz	50 - 60 Hz	50 - 60 Hz	50 - 60 Hz	50 - 60 Hz
Inductance	0.138 mH	0.190 mH	0.230 mH	0.123 mH	0.170 mH	0.204 mH
Inductance deviation	±10%	±10%	±10%	±10%	±10%	±10%
<b>Approvals</b>						
Approvals	cURus	cURus	cURus	cURus	cURus	cURus
<b>Environment</b>						
Ambient temperature	-10 °C to +40 °C	-10 °C to +40 °C	-10 °C to +40 °C	-10 °C to +40 °C	-10 °C to +40 °C	-10 °C to +40 °C
Type of cooling	AN	AN	AN	AN	AN	AN
<b>Safety and protection</b>						
Type	Open type	Open type	Open type	Open type	Open type	Open type
Insulation class	IEC=H, UL=class 180	IEC=H, UL=class 180	IEC=H, UL=class 180	IEC=H, UL=class 180	IEC=H, UL=class 180	IEC=H, UL=class 180
Protection index	IP 00	IP 00	IP 00	IP 00	IP 00	IP 00
Safety class (prepared)	I	I	I	I	I	I
Test voltage	4000 Vac	4000 Vac	4000 Vac	4000 Vac	4000 Vac	4000 Vac
<b>Order numbers</b>						
<b>Order Number</b>	<b>LR3 40-3/160</b>	<b>LR3 40-4/160</b>	<b>LR3 40-5/160</b>	<b>LR3 40-3/180</b>	<b>LR3 40-4/180</b>	<b>LR3 40-5/180</b>

Typ	LR3 40-3/200	LR3 40-4/200	LR3 40-5/200	LR3 40-3/250	LR3 40-4/250	LR3 40-5/250
<b>Electrical data</b>						
<b>Operating data</b>						
Rated voltage	3 x 400 Vac	3 x 400 Vac	3 x 400 Vac	3 x 400 Vac	3 x 400 Vac	3 x 400 Vac
Rated voltage (IEC)	3 x 690 Vac	3 x 690 Vac	3 x 690 Vac	3 x 690 Vac	3 x 690 Vac	3 x 690 Vac
Rated voltage (UL)	3 x 600 Vac	3 x 600 Vac	3 x 600 Vac	3 x 600 Vac	3 x 600 Vac	3 x 600 Vac
Short circuit voltage uK	3 % @ 400 Vac	4 % @ 400 Vac	5 % @ 400 Vac	3 % @ 400 Vac	4 % @ 400 Vac	5 % @ 400 Vac
Voltage drop	6.9 Vac	9.2 Vac	11.6 Vac	6.9 Vac	9.2 Vac	11.6 Vac
Rated current	3 x 200 A	3 x 200 A	3 x 200 A	3 x 250 A	3 x 250 A	3 x 250 A
Rated frequency	50 - 60 Hz	50 - 60 Hz	50 - 60 Hz	50 - 60 Hz	50 - 60 Hz	50 - 60 Hz
Inductance	0.110 mH	0.150 mH	0.184 mH	0.088 mH	0.120 mH	0.147 mH
Inductance deviation	±10%	±10%	±10%	±10%	±10%	±10%
<b>Approvals</b>						
Approvals	cURus	cURus	cURus	cURus	cURus	cURus
<b>Environment</b>						
Ambient temperature	-10 °C to +40 °C	-10 °C to +40 °C	-10 °C to +40 °C	-10 °C to +40 °C	-10 °C to +40 °C	-10 °C to +40 °C
Type of cooling	AN	AN	AN	AN	AN	AN
<b>Safety and protection</b>						
Type	Open type	Open type	Open type	Open type	Open type	Open type
Insulation class	IEC=H, UL=class 180	IEC=F, UL=class 155	IEC=F, UL=class 155	IEC=F, UL=class 155	IEC=F, UL=class 155	IEC=F, UL=class 155
Protection index	IP 00	IP 00	IP 00	IP 00	IP 00	IP 00
Safety class (prepared)	I	I	I	I	I	I
Test voltage	4000 Vac	4000 Vac	4000 Vac	4000 Vac	4000 Vac	4000 Vac
<b>Order numbers</b>						
<b>Order Number</b>	<b>LR3 40-3/200</b>	<b>LR3 40-4/200</b>	<b>LR3 40-5/200</b>	<b>LR3 40-3/250</b>	<b>LR3 40-4/250</b>	<b>LR3 40-5/250</b>

# 3 Reactors / EMI filters

## Three-phase line reactors



### Line reactor, three-phase LR3 400



Typ	LR3 40-3/300	LR3 40-4/300	LR3 40-5/300	LR3 40-3/400	LR3 40-4/400	LR3 40-5/400
<b>Electrical data</b>						
<b>Operating data</b>						
Rated voltage	3 x 400 Vac	3 x 400 Vac	3 x 400 Vac	3 x 400 Vac	3 x 400 Vac	3 x 400 Vac
Rated voltage (IEC)	3 x 690 Vac	3 x 690 Vac	3 x 690 Vac	3 x 690 Vac	3 x 690 Vac	3 x 690 Vac
Rated voltage (UL)	3 x 600 Vac	3 x 600 Vac	3 x 600 Vac	3 x 600 Vac	3 x 600 Vac	3 x 600 Vac
Short circuit voltage uK	3 % @ 400 Vac	4 % @ 400 Vac	5 % @ 400 Vac	3 % @ 400 Vac	4 % @ 400 Vac	5 % @ 400 Vac
Voltage drop	6.9 Vac	9.2 Vac	11.6 Vac	6.9 Vac	9.2 Vac	11.6 Vac
Rated current	3 x 300 A	3 x 300 A	3 x 300 A	3 x 400 A	3 x 400 A	3 x 400 A
Rated frequency	50 - 60 Hz	50 - 60 Hz	50 - 60 Hz	50 - 60 Hz	50 - 60 Hz	50 - 60 Hz
Inductance	0.074 mH	0.098 mH	0.123 mH	0.055 mH	0.074 mH	0.092 mH
Inductance deviation	±10%	±10%	±10%	±10%	±10%	±10%
<b>Approvals</b>						
Approvals	cURus	cURus	cURus	cURus	cURus	cURus
<b>Environment</b>						
Ambient temperature	-10 °C to +40 °C	-10 °C to +40 °C	-10 °C to +40 °C	-10 °C to +40 °C	-10 °C to +40 °C	-10 °C to +40 °C
Type of cooling	AN	AN	AN	AN	AN	AN
<b>Safety and protection</b>						
Type	Open type	Open type	Open type	Open type	Open type	Open type
Insulation class	IEC=F, UL=class 155	IEC=H, UL=class 180	IEC=F, UL=class 155	IEC=H, UL=class 180	IEC=F, UL=class 155	IEC=F, UL=class 155
Protection index	IP 00	IP 00	IP 00	IP 00	IP 00	IP 00
Safety class (prepared)	I	I	I	I	I	I
Test voltage	4000 Vac	4000 Vac	4000 Vac	4000 Vac	4000 Vac	4000 Vac
<b>Order numbers</b>						
<b>Order Number</b>	<b>LR3 40-3/300</b>	<b>LR3 40-4/300</b>	<b>LR3 40-5/300</b>	<b>LR3 40-3/400</b>	<b>LR3 40-4/400</b>	<b>LR3 40-5/400</b>

Typ	LR3 40-3/500	LR3 40-4/500	LR3 40-5/500	LR3 40-3/630	LR3 40-4/630	LR3 40-5/630
<b>Electrical data</b>						
<b>Operating data</b>						
Rated voltage	3 x 400 Vac	3 x 400 Vac	3 x 400 Vac	3 x 400 Vac	3 x 400 Vac	3 x 400 Vac
Rated voltage (IEC)	3 x 690 Vac	3 x 690 Vac	3 x 690 Vac	3 x 690 Vac	3 x 690 Vac	3 x 690 Vac
Rated voltage (UL)	3 x 600 Vac	3 x 600 Vac	3 x 600 Vac	3 x 600 Vac	3 x 600 Vac	3 x 600 Vac
Short circuit voltage uK	3 % @ 400 Vac	4 % @ 400 Vac	5 % @ 400 Vac	3 % @ 400 Vac	4 % @ 400 Vac	5 % @ 400 Vac
Voltage drop	6.9 Vac	9.2 Vac	11.6 Vac	6.9 Vac	9.2 Vac	11.6 Vac
Rated current	3 x 500 A	3 x 500 A	3 x 500 A	3 x 630 A	3 x 630 A	3 x 630 A
Rated frequency	50 - 60 Hz	50 - 60 Hz	50 - 60 Hz	50 - 60 Hz	50 - 60 Hz	50 - 60 Hz
Inductance	0.044 mH	0.059 mH	0.074 mH	0.035 mH	0.047 mH	0.059 mH
Inductance deviation	±10%	±10%	±10%	±10%	±10%	±10%
<b>Approvals</b>						
Approvals	cURus	cURus	cURus	cURus	cURus	cURus
<b>Environment</b>						
Ambient temperature	-10 °C to +40 °C	-10 °C to +40 °C	-10 °C to +40 °C	-10 °C to +40 °C	-10 °C to +40 °C	-10 °C to +40 °C
Type of cooling	AN	AN	AN	AN	AN	AN
<b>Safety and protection</b>						
Type	Open type	Open type	Open type	Open type	Open type	Open type
Insulation class	IEC=F, UL=class 155	IEC=H, UL=class 180	IEC=H, UL=class 180	IEC=H, UL=class 180	IEC=H, UL=class 180	IEC=H, UL=class 180
Protection index	IP 00	IP 00	IP 00	IP 00	IP 00	IP 00
Safety class (prepared)	I	I	I	I	I	I
Test voltage	4000 Vac	4000 Vac	4000 Vac	4000 Vac	4000 Vac	4000 Vac
<b>Order numbers</b>						
<b>Order Number</b>	<b>LR3 40-3/500</b>	<b>LR3 40-4/500</b>	<b>LR3 40-5/500</b>	<b>LR3 40-3/630</b>	<b>LR3 40-4/630</b>	<b>LR3 40-5/630</b>





## Line reactor, three-phase LR3 400



Typ	LR3 40-3/710	LR3 40-4/710	LR3 40-5/710	LR3 40-3/800	LR3 40-4/800	LR3 40-5/800
<b>Electrical data</b>						
<b>Operating data</b>						
Rated voltage	3 x 400 Vac	3 x 400 Vac	3 x 400 Vac	3 x 400 Vac	3 x 400 Vac	3 x 400 Vac
Rated voltage (IEC)	3 x 690 Vac	3 x 690 Vac	3 x 690 Vac	3 x 690 Vac	3 x 690 Vac	3 x 690 Vac
Rated voltage (UL)	3 x 600 Vac	3 x 600 Vac	3 x 600 Vac	3 x 600 Vac	3 x 600 Vac	3 x 600 Vac
Short circuit voltage uK	3 % @ 400 Vac	4 % @ 400 Vac	5 % @ 400 Vac	3 % @ 400 Vac	4 % @ 400 Vac	5 % @ 400 Vac
Voltage drop	6.9 Vac	9.2 Vac	11.6 Vac	6.9 Vac	9.2 Vac	11.6 Vac
Rated current	3 x 710 A	3 x 710 A	3 x 710 A	3 x 800 A	3 x 800 A	3 x 800 A
Rated frequency	50 - 60 Hz	50 - 60 Hz	50 - 60 Hz	50 - 60 Hz	50 - 60 Hz	50 - 60 Hz
Inductance	0.031 mH	0.042 mH	0.052 mH	0.028 mH	0.037 mH	0.046 mH
Inductance deviation	±10%	±10%	±10%	±10%	±10%	±10%
<b>Approvals</b>						
Approvals	cURus	cURus	cURus	cURus	cURus	cURus
<b>Environment</b>						
Ambient temperature	-10 °C to +40 °C	-10 °C to +40 °C	-10 °C to +40 °C	-10 °C to +40 °C	-10 °C to +40 °C	-10 °C to +40 °C
Type of cooling	AN	AN	AN	AN	AN	AN
<b>Safety and protection</b>						
Type	Open type	Open type	Open type	Open type	Open type	Open type
Insulation class	IEC=H, UL=class 180	IEC=H, UL=class 180	IEC=H, UL=class 180	IEC=H, UL=class 180	IEC=H, UL=class 180	IEC=H, UL=class 180
Protection index	IP 00	IP 00	IP 00	IP 00	IP 00	IP 00
Safety class (prepared)	I	I	I	I	I	I
Test voltage	4000 Vac	4000 Vac	4000 Vac	4000 Vac	4000 Vac	4000 Vac
<b>Order numbers</b>						
<b>Order Number</b>	<b>LR3 40-3/710</b>	<b>LR3 40-4/710</b>	<b>LR3 40-5/710</b>	<b>LR3 40-3/800</b>	<b>LR3 40-4/800</b>	<b>LR3 40-5/800</b>

Typ	LR3 40-3/1000	LR3 40-4/1000	LR3 40-5/1000	LR3 40-3/1200	LR3 40-4/1200	LR3 40-5/1200
<b>Electrical data</b>						
<b>Operating data</b>						
Rated voltage	3 x 400 Vac	3 x 400 Vac	3 x 400 Vac	3 x 400 Vac	3 x 400 Vac	3 x 400 Vac
Rated voltage (IEC)	3 x 690 Vac	3 x 690 Vac	3 x 690 Vac	3 x 690 Vac	3 x 690 Vac	3 x 690 Vac
Rated voltage (UL)	3 x 600 Vac	3 x 600 Vac	3 x 600 Vac	3 x 600 Vac	3 x 600 Vac	3 x 600 Vac
Short circuit voltage uK	3 % @ 400 Vac	4 % @ 400 Vac	5 % @ 400 Vac	3 % @ 400 Vac	4 % @ 400 Vac	5 % @ 400 Vac
Voltage drop	6.9 Vac	9.2 Vac	11.6 Vac	6.9 Vac	9.2 Vac	11.6 Vac
Rated current	3 x 1000 A	3 x 1000 A	3 x 1000 A	3 x 1200 A	3 x 1200 A	3 x 1200 A
Rated frequency	50 - 60 Hz	50 - 60 Hz	50 - 60 Hz	50 - 60 Hz	50 - 60 Hz	50 - 60 Hz
Inductance	0.022 mH	0.030 mH	0.037 mH	0.018 mH	0.025 mH	0.031 mH
Inductance deviation	±10%	±10%	±10%	±10%	±10%	±10%
<b>Approvals</b>						
Approvals	cURus	cURus	cURus	cURus	cURus	cURus
<b>Environment</b>						
Ambient temperature	-10 °C to +40 °C	-10 °C to +40 °C	-10 °C to +40 °C	-10 °C to +40 °C	-10 °C to +40 °C	-10 °C to +40 °C
Type of cooling	AN	AN	AN	AN	AN	AN
<b>Safety and protection</b>						
Type	Open type	Open type	Open type	Open type	Open type	Open type
Insulation class	IEC=H, UL=class 180	IEC=H, UL=class 180	IEC=H, UL=class 180	IEC=H, UL=class 180	IEC=H, UL=class 180	IEC=H, UL=class 180
Protection index	IP 00	IP 00	IP 00	IP 00	IP 00	IP 00
Safety class (prepared)	I	I	I	I	I	I
Test voltage	4000 Vac	4000 Vac	4000 Vac	4000 Vac	4000 Vac	4000 Vac
<b>Order numbers</b>						
<b>Order Number</b>	<b>LR3 40-3/1000</b>	<b>LR3 40-4/1000</b>	<b>LR3 40-5/1000</b>	<b>LR3 40-3/1200</b>	<b>LR3 40-4/1200</b>	<b>LR3 40-5/1200</b>



### Line reactor, three-phase

## LR3 400



Typ		LR3 40-3/1400	LR3 40-4/1400	LR3 40-5/1400	LR3 40-3/1600	LR3 40-4/1600	LR3 40-5/1600
Electrical data	<b>Operating data</b>						
	Rated voltage	3 x 400 Vac	3 x 400 Vac	3 x 400 Vac	3 x 400 Vac	3 x 400 Vac	3 x 400 Vac
	Rated voltage (IEC)	3 x 690 Vac	3 x 690 Vac	3 x 690 Vac	3 x 690 Vac	3 x 690 Vac	3 x 690 Vac
	Rated voltage (UL)	3 x 600 Vac	3 x 600 Vac	3 x 600 Vac	3 x 600 Vac	3 x 600 Vac	3 x 600 Vac
	Short circuit voltage uK	3 % @ 400 Vac	4 % @ 400 Vac	5 % @ 400 Vac	3 % @ 400 Vac	4 % @ 400 Vac	5 % @ 400 Vac
	Voltage drop	6.9 Vac	9.2 Vac	11.6 Vac	6.9 Vac	9.2 Vac	11.6 Vac
	Rated current	3 x 1400 A	3 x 1400 A	3 x 1400 A	3 x 1600 A	3 x 1600 A	3 x 1600 A
	Rated frequency	50 - 60 Hz	50 - 60 Hz	50 - 60 Hz	50 - 60 Hz	50 - 60 Hz	50 - 60 Hz
	Inductance	0.016 mH	0.021 mH	0.026 mH	0.014 mH	0.019 mH	0.023 mH
	Inductance deviation	±10%	±10%	±10%	±10%	±10%	±10%
	<b>Approvals</b>						
	Approvals	cURus	cURus	cURus	cURus	cURus	cURus
	<b>Environment</b>						
	Ambient temperature	-10 °C to +40 °C	-10 °C to +40 °C	-10 °C to +40 °C	-10 °C to +40 °C	-10 °C to +40 °C	-10 °C to +40 °C
Type of cooling	AN	AN	AN	AN	AN	AN	
<b>Safety and protection</b>							
Type	Open type	Open type	Open type	Open type	Open type	Open type	
Insulation class	IEC=H, UL=class 180	IEC=H, UL=class 180	IEC=H, UL=class 180	IEC=H, UL=class 180	IEC=H, UL=class 180	IEC=H, UL=class 180	
Protection index	IP 00	IP 00	IP 00	IP 00	IP 00	IP 00	
Safety class (prepared)	I	I	I	I	I	I	
Test voltage	4000 Vac	4000 Vac	4000 Vac	4000 Vac	4000 Vac	4000 Vac	
<b>Order numbers</b>							
Order Number	<b>LR3 40-3/1400</b>	<b>LR3 40-4/1400</b>	<b>LR3 40-5/1400</b>	<b>LR3 40-3/1600</b>	<b>LR3 40-4/1600</b>	<b>LR3 40-5/1600</b>	

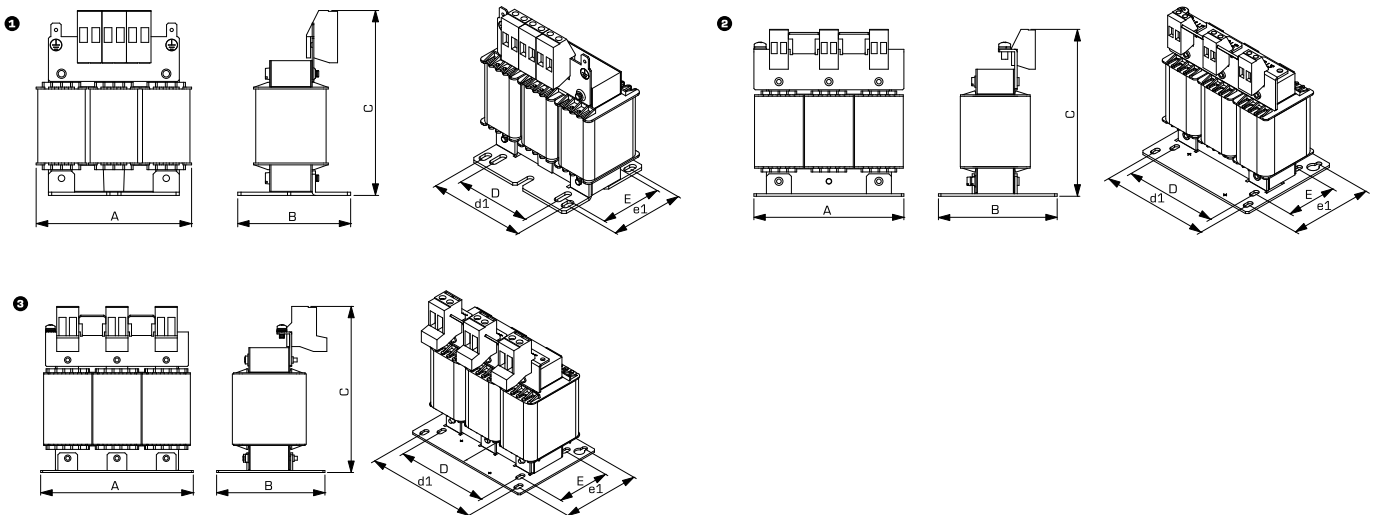


Line reactor, three-phase  
**LR3 400**



Typ	Terminals phase	Terminals PE	Fixing method	Fixing screws	Weight	Dimension picture (in mm)	Dimension picture (in mm)										
							A	B	C	D	d1	d2	E	e1	e2	F	
LR3 40-3/2	Screw clamp, 4 mm <sup>2</sup>	Tab connector, 6.3 x 0.8 mm	Fixing rail	M4	0.53 kg	1	74	56	116	50	65	-	35	40	-	-	
LR3 40-4/2	Screw clamp, 4 mm <sup>2</sup>	Tab connector, 6.3 x 0.8 mm	Fixing rail	M4	0.53 kg	2	74	56	116	50	65	-	27	35	-	-	
LR3 40-5/2	Screw clamp, 4 mm <sup>2</sup>	Tab connector, 6.3 x 0.8 mm	Fixing rail	M4	0.53 kg	3	74	56	100	50	65	-	35	40	-	-	
LR3 40-3/4	Screw clamp, 4 mm <sup>2</sup>	Tab connector, 6.3 x 0.8 mm	Fixing rail	M4	0.72 kg	1	74	63	98	50	65	-	42	47	-	-	
LR3 40-4/4	Screw clamp, 4 mm <sup>2</sup>	Tab connector, 6.3 x 0.8 mm	Fixing rail	M4	1.31 kg	2	80	60	116	56	71	-	38	45	-	-	
LR3 40-5/4	Screw clamp, 4 mm <sup>2</sup>	Tab connector, 6.3 x 0.8 mm	Fixing rail	M4	1.31 kg	3	80	60	114	56	71	-	38	45	-	-	
LR3 40-3/6	Screw clamp, 4 mm <sup>2</sup>	Tab connector, 6.3 x 0.8 mm	Fixing rail	M4	0.94 kg	1	80	60	116	56	71	-	38	45	-	-	
LR3 40-4/6	Screw clamp, 4 mm <sup>2</sup>	Tab connector, 6.3 x 0.8 mm	Fixing rail	M4	1.45 kg	2	80	69	117	56	71	-	47	54	-	-	
LR3 40-5/6	Screw clamp, 4 mm <sup>2</sup>	for M4	Fixing rail	M4	1.39 kg	3	80	69	117	56	71	-	47	54	-	-	
LR3 40-3/8	Screw clamp, 4 mm <sup>2</sup>	for M4	Fixing rail	M4	1.45 kg	1	80	69	117	56	71	-	47	54	-	-	
LR3 40-4/8	Screw clamp, 4 mm <sup>2</sup>	for M5	Fixing rail	M4	1.90 kg	2	120	85	135	90	105	-	39	70	-	-	
LR3 40-5/8	Screw clamp, 4 mm <sup>2</sup>	for M4	Fixing rail	M4	2.00 kg	3	120	85	136	90	105	-	39	70	-	-	
LR3 40-3/10	Screw clamp, 4 mm <sup>2</sup>	for M5	Fixing rail	M4	2.00 kg	2	120	85	135	90	105	-	39	70	-	-	
LR3 40-4/10	Screw clamp, 4 mm <sup>2</sup>	for M5	Fixing rail	M4	2.00 kg	3	120	85	135	90	105	-	39	70	-	-	
LR3 40-5/10	Screw clamp, 4 mm <sup>2</sup>	for M4	Fixing rail	M4	2.70 kg	3	120	95	138	90	105	-	49	80	-	-	
LR3 40-3/16	Screw clamp, 4 mm <sup>2</sup>	for M5	Fixing rail	M4	2.70 kg	2	120	95	135	90	105	-	49	80	-	-	
LR3 40-4/16	Screw clamp, 4 mm <sup>2</sup>	for M5	Fixing rail	M4	2.70 kg	3	120	95	135	90	105	-	49	80	-	-	
LR3 40-5/16	Screw clamp, 4 mm <sup>2</sup>	for M4	Fixing rail	M5	3.80 kg	2	155	95	163	113	135	-	50	80	-	-	
LR3 40-3/20	Screw clamp, 4 mm <sup>2</sup>	for M5	Fixing rail	M5	3.54 kg	2	155	95	162	113	135	-	50	80	-	-	
LR3 40-4/20	Screw clamp, 4 mm <sup>2</sup>	for M5	Fixing rail	M5	3.80 kg	3	155	95	162	113	135	-	50	80	-	-	
LR3 40-5/20	Screw clamp, 4 mm <sup>2</sup>	for M4	Fixing rail	M5	5.34 kg	2	155	110	162	113	135	-	65	95	-	-	
LR3 40-3/25	Screw clamp, 10 mm <sup>2</sup>	for M5	Fixing rail	M5	3.80 kg	3	155	95	166	113	135	-	50	80	-	-	
LR3 40-4/25	Screw clamp, 10 mm <sup>2</sup>	for M5	Fixing rail	M5	5.80 kg	3	155	110	167	113	135	-	65	95	-	-	
LR3 40-5/25	Screw clamp, 10 mm <sup>2</sup>	for M4	Fixing rail	M5	5.85 kg	2	155	110	166	113	135	-	65	95	-	-	
LR3 40-3/30	Screw clamp, 10 mm <sup>2</sup>	for M5	Fixing rail	M5	5.44 kg	3	155	110	167	113	135	-	65	95	-	-	
LR3 40-4/30	Screw clamp, 10 mm <sup>2</sup>	for M5	Fixing rail	M5	5.85 kg	3	155	110	167	113	135	-	65	95	-	-	
LR3 40-5/30	Screw clamp, 10 mm <sup>2</sup>	for M5	Fixing rail	M5	6.25 kg	3	185	102	198	90	136	-	70	83	-	-	
LR3 40-3/35	Screw clamp, 10 mm <sup>2</sup>	for M5	Fixing rail	M5	5.95 kg	3	155	110	167	113	135	-	65	95	-	-	
LR3 40-4/35	Screw clamp, 10 mm <sup>2</sup>	for M5	Fixing rail	M5	5.95 kg	3	155	110	166	113	135	-	65	95	-	-	
LR3 40-5/35	Screw clamp, 10 mm <sup>2</sup>	for M5	Fixing rail	M5	8.25 kg	3	185	112	197	90	136	-	80	93	-	-	
LR3 40-3/40	Screw clamp, 10 mm <sup>2</sup>	for M6	Fixing rail	M5	6.12 kg	3	185	102	195	90	136	-	83	70	-	-	
LR3 40-4/40	Screw clamp, 10 mm <sup>2</sup>	for M6	Fixing rail	M5	6.80 kg	3	185	102	195	90	136	-	83	70	-	-	
LR3 40-5/40	Screw clamp, 10 mm <sup>2</sup>	for M6	Fixing rail	M5	8.28 kg	3	185	112	197	90	136	-	80	93	-	-	

Dimension pictures



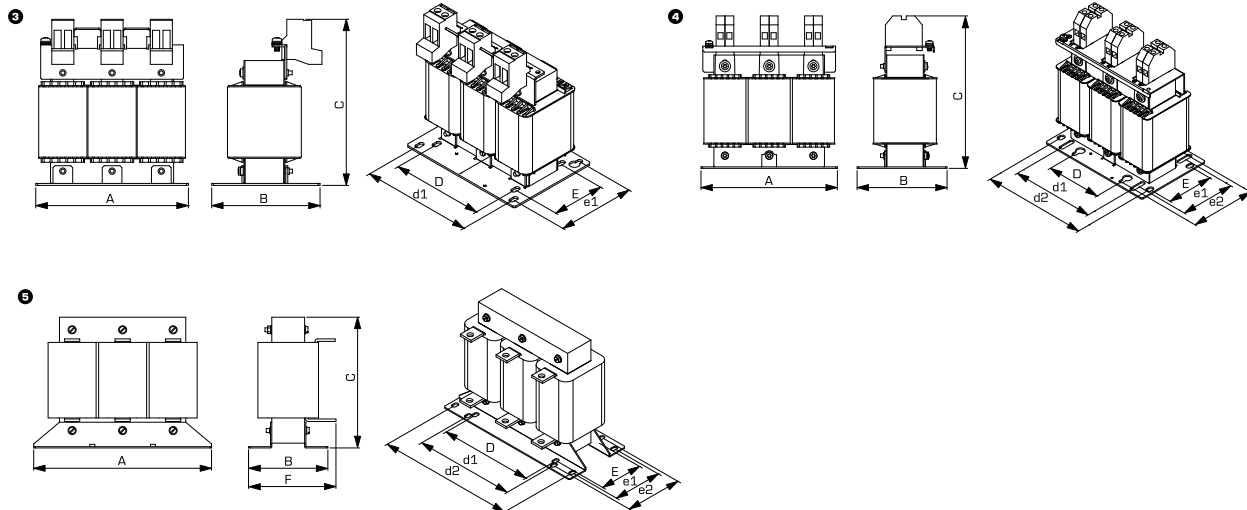


### Line reactor, three-phase LR3 400



Typ	Terminals phase	Terminals PE	Fixing method	Fixing screws	Weight	Dimension picture (in mm)	A	B	C	D	d1	d2	E	e1	e2	F
LR3 40-3/45	Screw clamp, 10 mm <sup>2</sup>	for M5	Fixing rail	M6	6.80 kg	3	185	102	195	90	136	-	83	70	-	-
LR3 40-4/45	Screw clamp, 10 mm <sup>2</sup>	for M5	Fixing rail	M6	8.25 kg	3	185	112	196	90	136	170	80	93	-	-
LR3 40-5/45	Screw clamp, 10 mm <sup>2</sup>	for M5	Fixing rail	M6	9.65 kg	3	185	122	207	90	136	-	90	103	-	-
LR3 40-3/50	Screw clamp, 16 mm <sup>2</sup>	for M5	Fixing rail	M6	6.80 kg	4	185	102	210	90	136	170	83	70	57	-
LR3 40-4/50	Screw clamp, 10 mm <sup>2</sup>	for M6	Fixing rail	M6	8.35 kg	4	185	112	207	90	136	170	67	80	93	-
LR3 40-5/50	Screw clamp, 35 mm <sup>2</sup>	for M6	Fixing rail	M6	10.80 kg	4	210	117	239	105	156	-	85	98	-	-
LR3 40-3/63	Screw clamp, 16 mm <sup>2</sup>	for M5	Fixing rail	M6	7.71 kg	4	185	112	207	90	136	170	93	80	67	-
LR3 40-4/63	Screw clamp, 16 mm <sup>2</sup>	for M5	Fixing rail	M6	9.65 kg	4	210	117	241	105	156	175	77	85	98	-
LR3 40-5/63	Screw clamp, 35 mm <sup>2</sup>	for M5	Fixing rail	M6	12.19 kg	4	210	125	237	105	156	-	93	106	-	-
LR3 40-3/70	Screw clamp, 16 mm <sup>2</sup>	for M5	Fixing rail	M6	9.50 kg	4	185	122	207	90	136	170	103	90	77	-
LR3 40-4/70	Screw clamp, 35 mm <sup>2</sup>	for M5	Fixing rail	M6	10.80 kg	4	210	117	240	98	156	175	77	88	105	-
LR3 40-5/70	Screw clamp, 35 mm <sup>2</sup>	for M5	Fixing rail	M6	14.38 kg	3	210	135	240	180	-	-	92	-	-	-
LR3 40-3/80	Screw clamp, 35 mm <sup>2</sup>	for M5	Fixing rail	M6	10.80 kg	4	210	117	240	105	156	175	98	85	77	-
LR3 40-4/80	Screw clamp, 35 mm <sup>2</sup>	for M5	Fixing rail	M6	12.50 kg	4	210	125	238	105	156	175	85	93	105	-
LR3 40-5/80	Screw clamp, 35 mm <sup>2</sup>	for M5	Fixing rail	M8	19.00 kg	3	230	149	260	176	180	-	95	122	-	-
LR3 40-3/90	Flat copper	for M8	Fixing rail	M8	12.51 kg	5	210	105	180	175	-	-	82	-	-	128
LR3 40-4/90	Flat copper	for M8	Fixing rail	M8	16.00 kg	5	267	115	201	176	180	249	74	82	101	128
LR3 40-5/90	Flat copper	for M8	Fixing rail	M8	21.66 kg	5	267	139	201	179	180	249	98	106	125	156
LR3 40-3/100	Flat copper	for M8	Fixing rail	M8	13.22 kg	5	267	115	201	176	180	249	74	82	98	128
LR3 40-4/100	Flat copper	for M8	Fixing rail	M8	19.00 kg	5	267	139	201	176	180	249	97	106	125	153
LR3 40-5/100	Flat copper	for M8	Fixing rail	M8	23.19 kg	5	291	139	212	185	273	-	110	110	-	160
LR3 40-3/115	Flat copper	for M8	Fixing rail	M8	19.00 kg	5	267	139	201	176	180	249	98	106	122	152
LR3 40-4/115	Flat copper	for M8	Fixing rail	M8	21.00 kg	5	291	139	212	185	273	-	120	120	-	158
LR3 40-5/115	Flat copper	for M8	Fixing rail	M8	25.31 kg	5	219	132	233	200	-	-	105	-	-	164
LR3 40-3/125	Flat copper	for M8	Fixing rail	M8	19.00 kg	5	267	139	202	176	180	249	98	106	122	152
LR3 40-4/125	Flat copper	for M8	Fixing rail	M8	22.00 kg	5	291	139	211	185	273	-	120	120	-	159
LR3 40-5/125	Flat copper	for M8	Fixing rail	M8	25.61 kg	5	219	132	234	200	-	-	105	-	-	165
LR3 40-3/160	Flat copper	for M8	Fixing rail	M8	20.20 kg	5	291	129	212	185	273	-	97	97	-	148
LR3 40-4/160	Flat copper	for M8	Fixing rail	M8	25.50 kg	5	291	149	210	185	273	-	185	185	-	169
LR3 40-5/160	Flat copper	for M8	Fixing rail	M8	32.00 kg	5	352	144	264	224	240	328	88	107	123	166
LR3 40-3/180	Flat copper	for M8	Fixing rail	M8	26.47 kg	5	291	149	208	185	273	-	117	117	-	169
LR3 40-4/180	Flat copper	for M8	Fixing rail	M8	28.00 kg	5	291	153	212	185	273	-	123	123	-	177
LR3 40-5/180	Flat copper	for M8	Fixing rail	M8	48.28 kg	5	352	168	265	224	240	328	122	132	148	208

### Dimension pictures





Line reactor, three-phase  
**LR3 400**



Typ	Terminals phase	Terminals PE	Fixing method	Fixing screws	Weight	Dimension picture (in mm)	A	B	C	D	d1	d2	E	e1	e2	F
LR3 40-3/200	Flat copper	for M8	Fixing rail	M8	23.21 kg	5	316	164	232	200	215	292	105	102	101	181
LR3 40-4/200	Flat copper	for M8	Fixing rail	M8	32.00 kg	5	352	144	264	224	240	328	97	107	123	163
LR3 40-5/200	Flat copper	for M8	Fixing rail	M8	48.00 kg	5	352	168	265	224	240	328	122	132	148	204
LR3 40-3/250	Flat copper	for M8	Fixing rail	M8	32.00 kg	5	352	144	264	224	240	328	81	91	107	162
LR3 40-4/250	Flat copper	for M8	Fixing rail	M8	41.00 kg	5	352	158	265	224	240	328	110	120	136	177
LR3 40-5/250	Flat copper	for M8	Fixing rail	M8	48.58 kg	5	352	183	266	224	240	328	137	147	163	217
LR3 40-3/300	Flat copper	for M8	Fixing rail	M8	31.80 kg	5	352	144	264	224	240	328	81	97	107	183
LR3 40-4/300	Flat copper	for M8	Fixing rail	M8	48.00 kg	5	352	168	265	224	240	328	127	131	147	207
LR3 40-5/300	Flat copper	for M8	Fixing rail	M8	62.00 kg	5	352	195	266	224	240	328	148	158	174	232
LR3 40-3/400	Flat copper	for M8	Fixing rail	M8	41.50 kg	5	352	157	265	224	240	328	104	110	120	197
LR3 40-4/400	Flat copper	for M8	Fixing rail	M8	56.00 kg	5	352	183	266	224	240	328	136	146	162	220
LR3 40-5/400	Flat copper	for M8	Fixing rail	M8	71.73 kg	5	412	172	318	264	310	388	136	146	162	202
LR3 40-3/500	Flat copper	for M8	Fixing rail	M8	56.00 kg	5	352	184	265	224	240	328	120	136	146	217
LR3 40-4/500	Flat copper	for M8	Fixing rail	M8	62.00 kg	5	352	195	266	224	240	328	147	157	173	232
LR3 40-5/500	Flat copper	for M8	Fixing rail	M8	74.35 kg	5	412	172	318	264	310	388	136	146	162	203
LR3 40-3/630	Flat copper	for M8	Fixing rail	M8	60.53 kg	5	412	170	315	264	310	388	134	134	124	200
LR3 40-4/630	Flat copper	for M8	Fixing rail	M8	75.50 kg	5	412	188	317	264	310	388	151	161	161	214
LR3 40-5/630	Flat copper	for M8	Fixing rail	M8	85.75 kg	5	480	155	372	316	370	450	129	139	147	205
LR3 40-3/710	Flat copper	for M8	Fixing rail	M8	73.15 kg	5	412	188	317	264	310	388	149	149	139	209
LR3 40-4/710	Flat copper	for M8	Fixing rail	M10	102.00 kg	5	480	186	372	316	371	450	139	149	157	226
LR3 40-5/710	Flat copper	for M8	Fixing rail	M10	98.69 kg	5	480	165	372	316	370	450	139	149	157	215
LR3 40-3/800	Flat copper	for M8	Fixing rail	M10	102.00 kg	5	480	183	377	316	370	450	140	150	158	226
LR3 40-4/800	Flat copper	for M8	Fixing rail	M10	115.00 kg	5	480	200	371	316	370	450	154	164	172	241
LR3 40-5/800	Flat copper	for M16	Fixing rail	M10	144.07 kg	5	552	217	419	356	430	516	161	163	189	308
LR3 40-3/1000	Flat copper	for M16	Fixing rail	M10	115.00 kg	5	480	200	376	316	370	450	144	164	172	238
LR3 40-4/1000	Flat copper	for M16	Fixing rail	M10	145.00 kg	5	480	245	376	316	370	450	199	209	217	274
LR3 40-5/1000	Flat copper	for M16	Fixing rail	M10	128.32 kg	5	552	217	419	356	430	516	161	163	189	305
LR3 40-3/1200	Flat copper	for M16	Fixing rail	M12	115.72 kg	5	552	217	419	356	430	516	167	169	195	301
LR3 40-4/1200	Flat copper	for M16	Fixing rail	M12	186.20 kg	5	552	244	419	356	430	516	176	190	216	329
LR3 40-5/1200	Flat copper	for M16	Fixing rail	M12	186.20 kg	5	552	274	420	356	430	516	218	220	246	362
LR3 40-3/1400	Flat copper	for M16	Fixing rail	M12	145.24 kg	5	552	244	420	356	430	516	194	196	222	358
LR3 40-4/1400	Flat copper	for M16	Fixing rail	M12	207.90 kg	5	552	274	420	356	430	516	206	220	246	362
LR3 40-5/1400	Flat copper	for M16	Fixing rail	M12	207.90 kg	5	540	270	465	490	-	-	236	-	-	328
LR3 40-3/1600	Flat copper	for M16	Fixing rail	M12	171.40 kg	5	552	274	420	356	430	516	224	226	252	358
LR3 40-4/1600	Flat copper	for M16	Fixing rail	M12	306.60 kg	5	552	294	416	356	430	516	226	240	266	377
LR3 40-5/1600	Flat copper	for M10	Fixing rail	M12	306.60 kg	5	540	270	465	490	-	-	336	-	-	324

Dimension pictures

