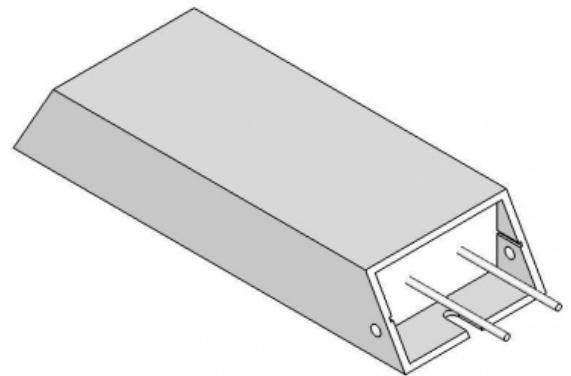



# RH-0100W330

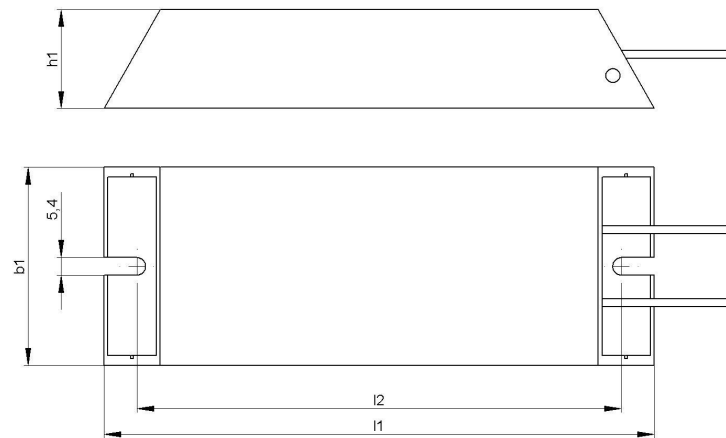
## Compact Resistor



Article-No.		02 31217 2 0330
Revision Index		a 13-147
Type		GWS 217-60x30-K
Pulse Power (W) $T_a \sim 50^\circ\text{C}$ *referred to a cycle duration of 120 s Approximate value (depending on resistance)	c.d.f. 6 %*	450
	c.d.f. 15 %*	250
	c.d.f. 25 %*	150
	c.d.f. 40 %*	100
Nominal continuous power (W) $T_a \sim 50^\circ\text{C}$		50.0
Resistance Values at $20^\circ\text{C}$ (Ohm)		330.0
Tolerance of resistance at $20^\circ\text{C}$		$\pm 10\%$
Degree of protection (EN 60529) (in the accordingly screwed on state)		IP 20
Max. permissible operating voltage		EN 900 V DC
Cooling		natural convection
Housing temperature at nominal continuous power $T_a \sim 50^\circ\text{C}$		$-200^\circ\text{C}$
Electrical terminal		2 x AWG 16 / l = 40 cm
Operation temperature range		$-25 \dots +50^\circ\text{C}$
Testing voltage		2.7 kV AC 1 s
Mounting positions		

Subject to technical modifications

## DATA SHEET



Article-No.		02 31217 2 0330
Type		GWS 217-60x30-K
Length [mm]	$l_1$	217
	$l_2$	200
Width [mm]	$b_1$	60
Height [mm]	$h_1$	30
Weight approx. [kg]		0.78
Isolation resistance		>10 M Ohm
Last update		2013-12-23

### Mounting instruction:

The distance between the two fixing points increase at 0,85 mm / 100 mm while heating (mounting with fixed and movable bearing).

The resistor should be protected by appropriate safety measures against overloading.

Do not mount the resistor with any obstruction in the air inlet or air outlet area.

Mount the resistor on a plane area.

The resistor has to be grounded.