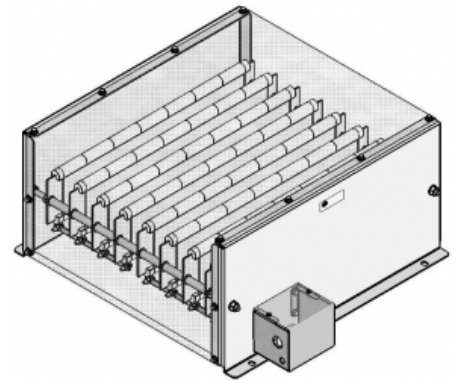



# RH-9600W015-UL-T

## Frame Resistor

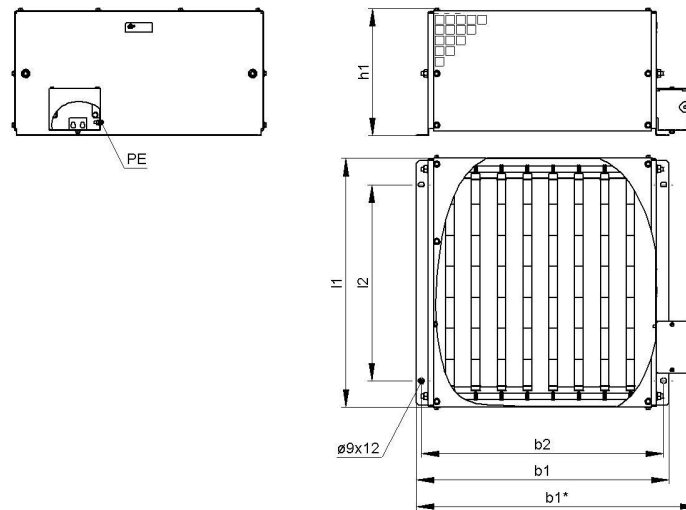
### cRUus



Article-No.		02 41710 2 0052
Type		RFB 10-7
Pulse Power (kW) $T_a \sim 50^\circ\text{C}$ *referred to a cycle duration of 120 s Approximate value (depending on resistance)	c.d.f. 6 %*	27.5
	c.d.f. 15 %*	13.5
	c.d.f. 25 %*	9.7
	c.d.f. 40 %*	7.8
Nominal continuous power (kW) $T_a \sim 50^\circ\text{C}$		6.4
Resistance Values at $20^\circ\text{C}$ (Ohm)		15.0
Tolerance of resistance at $20^\circ\text{C}$		$\pm 10\%$
Degree of protection (EN 60529) (in the accordingly screwed on state)		IP 20
Max. permissible operating voltage		EN 900 V DC
Cooling		natural convection
Housing temperature at nominal continuous power $T_a \sim 50^\circ\text{C}$		$\sim 210^\circ\text{C}$
Electrical terminal		line up terminal $10\text{ mm}^2$ ; $T=105^\circ\text{C}$
Temperature switch		$120^\circ\text{C} / 0.5 \dots 1.5\text{ mm}^2$
Operation temperature range		$-25 \dots +50^\circ\text{C}$
Testing voltage		2.7 kV AC 1 s
Approvals/markings		UL; CSA
Mounting positions		

Subject to technical modifications

# DATA SHEET



Article-No.		02 41710 2 0052
Type		RFB 10-7
Length [mm]	l1	<490
	l2	380
Width [mm]	b1*	<650
	b1	<595
	b2	570
Height [mm]	h1	<250
Weight approx. [kg]		14
Last update		2011-05-20

### Mounting instruction:

The resistor should be protected by appropriate safety measures against overloading.

Do not mount the resistor with any obstruction in the air inlet or air outlet area.

The resistor has to be grounded.